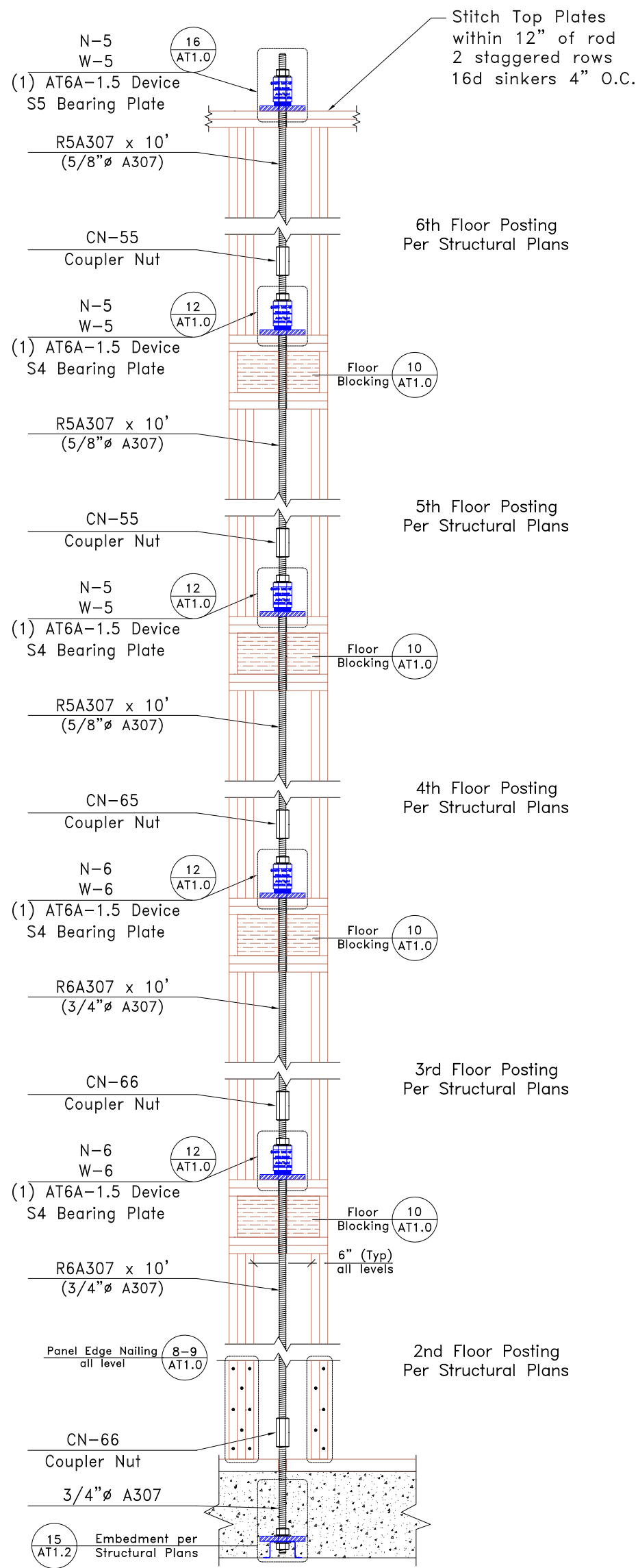


Run 5A

Wood Floor/Level	Tension Load Spec	Differential Load Spec	Compression Load Spec
6th Floor	5.10	5.10	per Plan
5th Floor	5.90	0.80	per Plan
4th Floor	6.80	0.90	per Plan
3rd Floor	7.50	0.70	per Plan
2nd Floor	9.20	1.70	per Plan

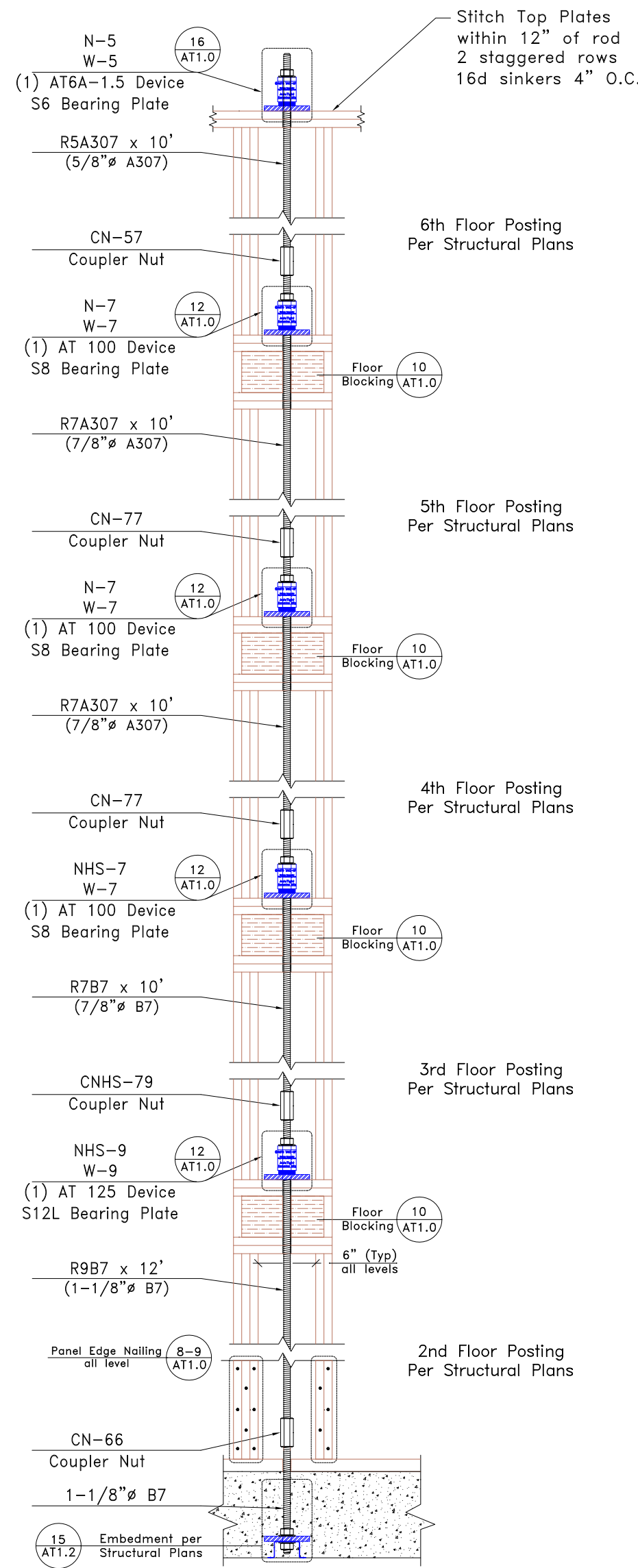
Loads shown in kips



Run 5B

Wood Floor/Level	Tension Load Spec	Differential Load Spec	Compression Load Spec
6th Floor	6.50	6.50	per Plan
5th Floor	10.75	4.25	per Plan
4th Floor	10.90	0.15	per Plan
3rd Floor	16.00	5.10	per Plan
2nd Floor	27.80	11.80	per Plan

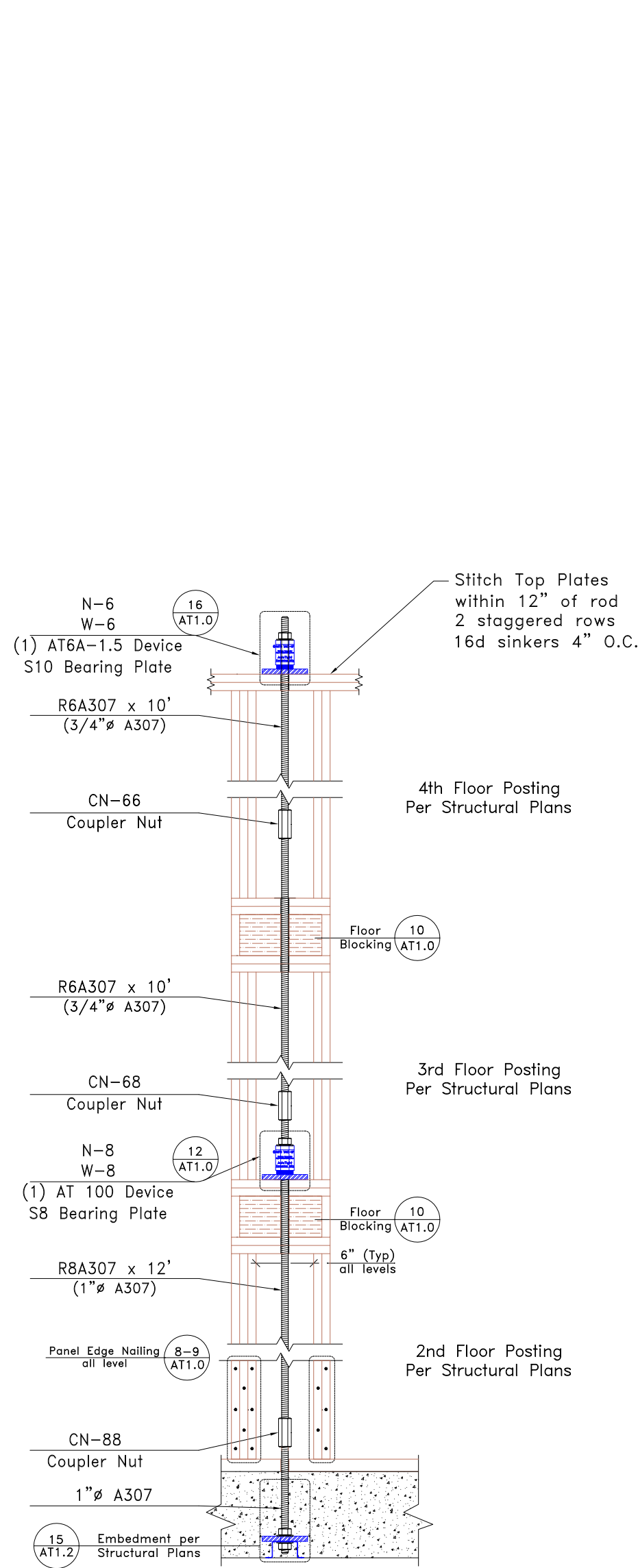
Loads shown in kips



3A

Wood Floor/Level	Tension Load Spec	Differential Load Spec	Compression Load Spec
4th Floor	4.50	8.50	per Plan
3rd Floor	8.50	0.00	per Plan
2nd Floor	16.00	7.50	per Plan

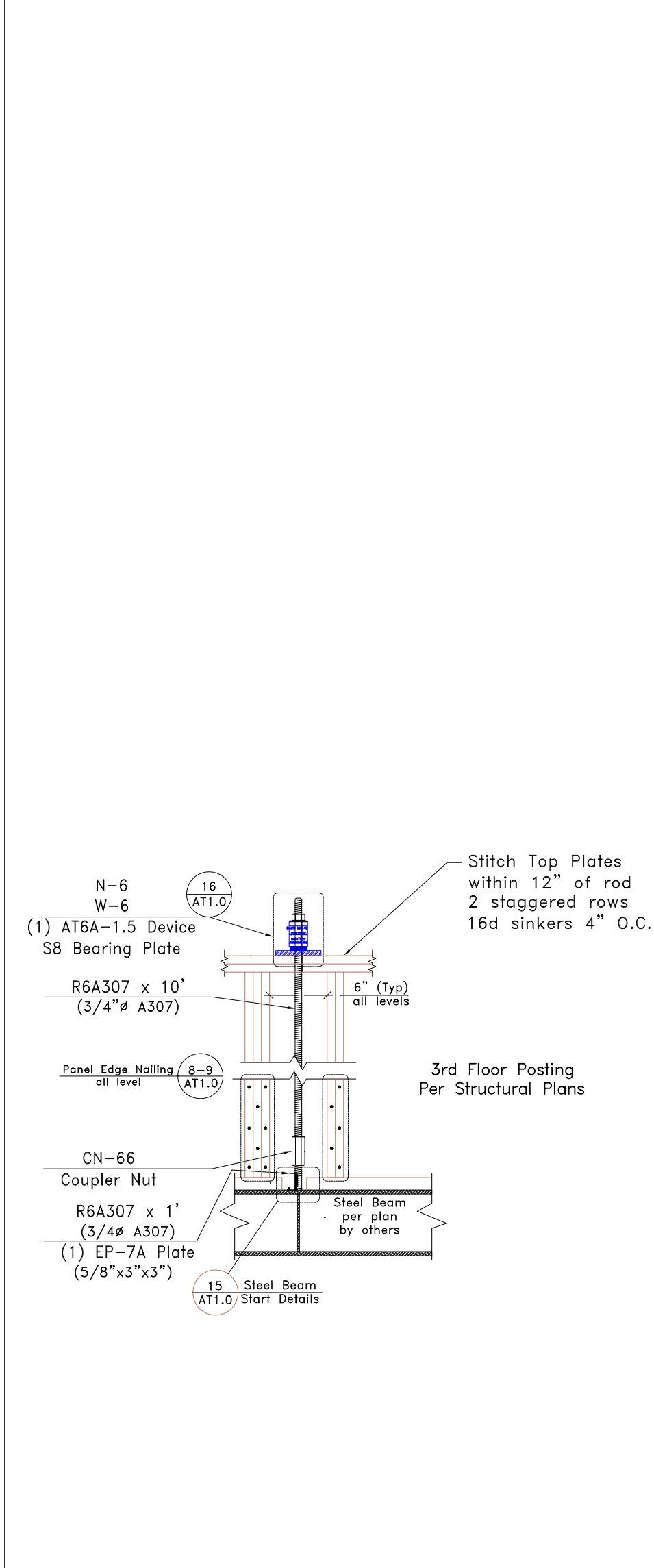
Loads shown in kips



1ASBS

Wood Floor/Level	Tension Load Spec	Differential Load Spec	Compression Load Spec
3rd Floor	8.20	8.20	per Plan

Loads shown in kips



AutoTight Holdown System
www.comminsfg.com
by Commins Manufacturing, Inc.
960B Guard St., Friday Harbor, WA 98250
T: 360.378.9484 F: 360.378.9485

DRAFT

No.	Revision	Date

75-19846
The Sample Project
960 Guard Street
Friday Harbor WA 98250
Copyright 2011, Commins Manufacturing Inc.
Drawn: TB Check: NA Date: 02/01/11

Holdown Run Elevations
AT11
Not to Scale